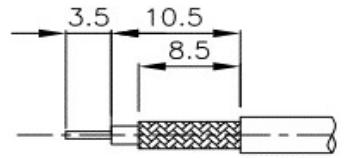


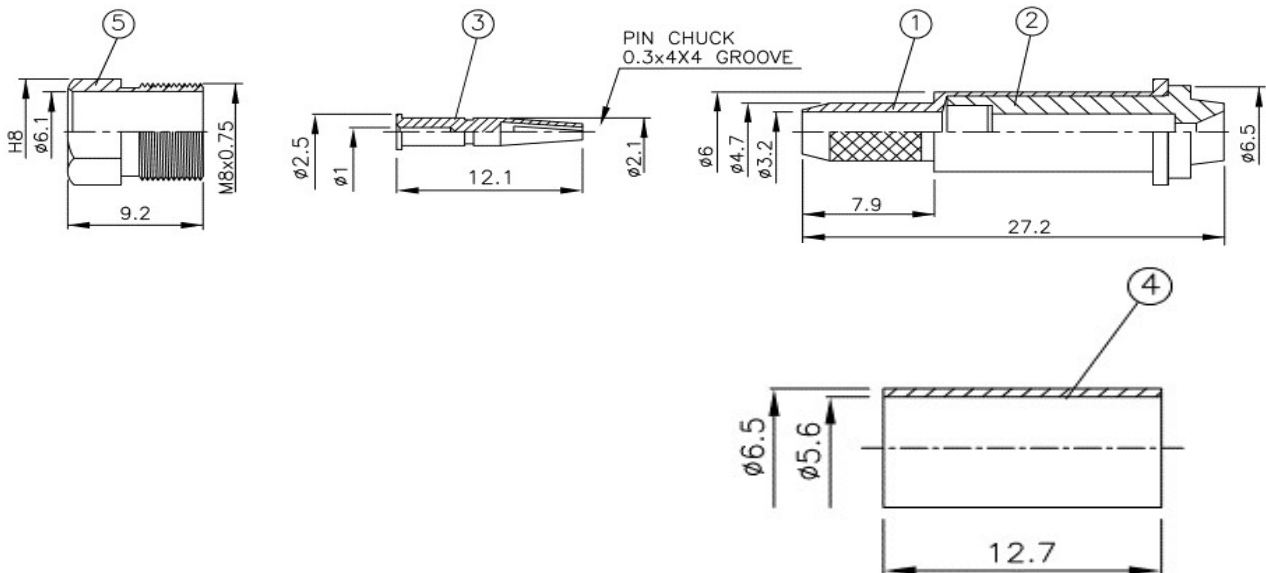
# NI - 105

## FME Stecker female

### crimp RG58, RF 195, HF50



(Recommended Stripping Dimension)



NO	DESCRIPTION	MATERIAL	Q'TY	FINISH
1	BODY	BRASS	1	NICKEL
2	INSULATION	DELFIN	1	DELFIN
3	PIN	BRASS	1	GOLD
4	RING	BRASS	1	NICKEL
5	NUT	BRASS	1	NICKEL